

Cos-TOOLS

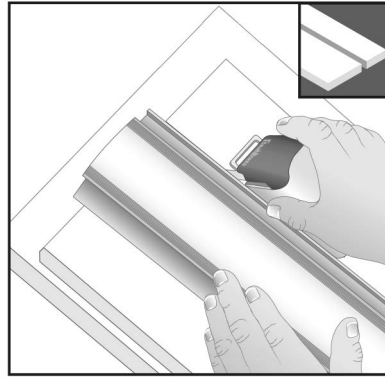
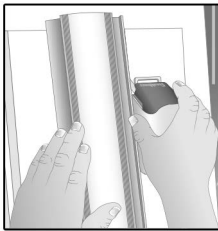


Logan Graphic Products, Inc.
1100 Brown Street
Wauconda, IL 60084, USA
Toll Free 1 800 331 6232

Cutting and Shaping Tools

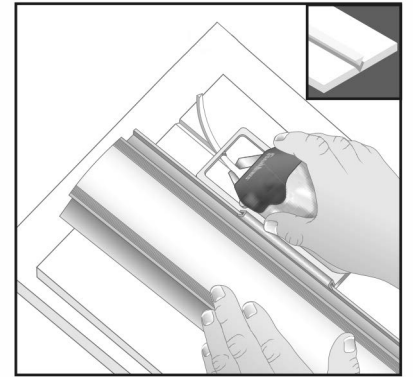
XT3001 CHANNEL RAIL

The Channel rail is used in combination with the Cos-Tools Straight/Bevel Cutter and V-Groove Cutter. Simply attach one of the cutters to the Channel Rail, for straight clean cuts. Features include a straight edge to guide you cuts, and a ruler to measure them. The Channel Rail works with both XTC-6001 Straight Cutter, and XTC-2001 V-Groove Cutter.



Always use scrap underlayment when cutting.

(Cutting head not included)



CAUTION: BLADES EXTREMELY SHARP
KEEP OUT OF REACH OF CHILDREN

J1902

Cos-TOOLS

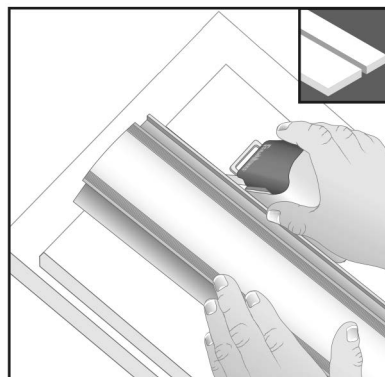
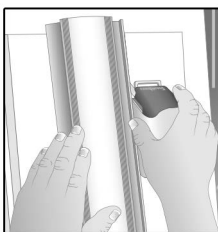


Logan Graphic Products, Inc.
1100 Brown Street
Wauconda, IL 60084, USA
Toll Free 1 800 331 6232

Cutting and Shaping Tools

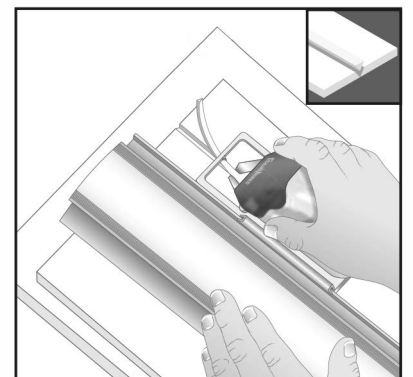
XT3001 CHANNEL RAIL

The Channel rail is used in combination with the Cos-Tools Straight/Bevel Cutter and V-Groove Cutter. Simply attach one of the cutters to the Channel Rail, for straight clean cuts. Features include a straight edge to guide you cuts, and a ruler to measure them. The Channel Rail works with both XTC-6001 Straight Cutter, and XTC-2001 V-Groove Cutter.



Always use scrap underlayment when cutting.

(Cutting head not included)



CAUTION: BLADES EXTREMELY SHARP
KEEP OUT OF REACH OF CHILDREN

J1902