



# TURBINE VIBRATORS



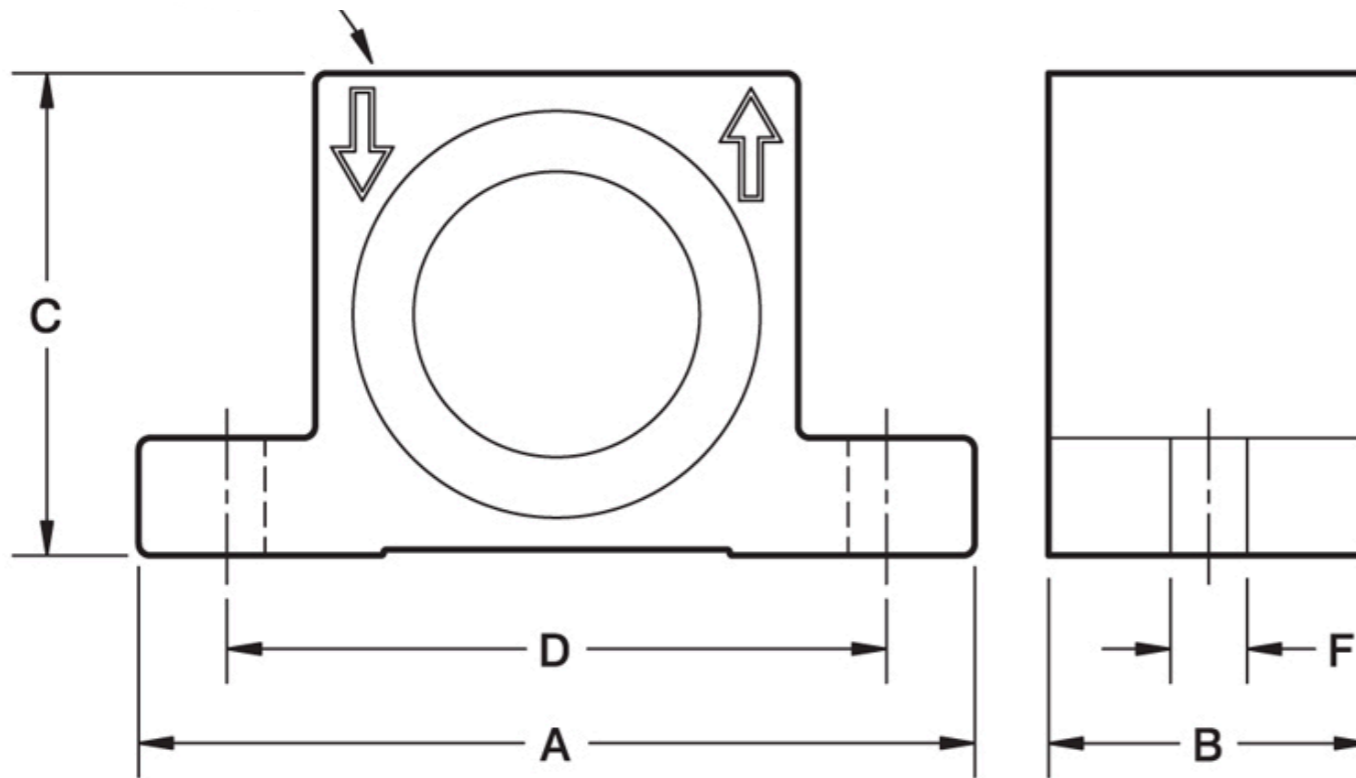
## PERFORMANCE DATA

## MODEL ATU-22

| Model  | In Lbs. | 40 PSI |            |     |        |
|--------|---------|--------|------------|-----|--------|
|        |         | VPM    | Force Lbs. | CFM | dB (A) |
| ATU-22 | 0.010   | 23000  | 150        | 1.8 | 62     |

| 60 PSI |            |     |        |
|--------|------------|-----|--------|
| VPM    | Force Lbs. | CFM | dB (A) |
| 27500  | 215        | 2.6 | 64     |

| 80 PSI |            |     |        |
|--------|------------|-----|--------|
| VPM    | Force Lbs. | CFM | dB (A) |
| 30000  | 256        | 3.3 | 67     |



- Low Noise • Energy Efficient • Compact Size
- No Lubrication Required • Durable Anodized Finish
- Sealed from Contaminants • Longer Life
- Lower Operating Costs - uses 1/3 less air than ball vibrators

## DIMENSIONS

| Model  | A    | B    | C    | Bolt Pattern D | Bolt Size F | Port NPT G | Weight Lbs. |
|--------|------|------|------|----------------|-------------|------------|-------------|
| ATU-22 | 3.50 | 1.32 | 2.00 | 2.63           | 1/4         | 1/8        | 0.60        |



SCULPTURE SUPPLY CANADA

[www.sculpturesupply.com](http://www.sculpturesupply.com)

Toll-Free 1-866-285-5509